



Features:

- Provides a proportional 4-20mA analog output
- Self-powered from the 777-AccuPower unit it connects to
- Removable quick disconnect plug for easier installation
- UL listed
- CSA approved
- CE compliant
- 5-year warranty
- Made in the USA

The 4-20mA output communications module provides an analog output that is proportional to a selected parameter, such as current or power. It must be used with a Model 777-AccuPower.

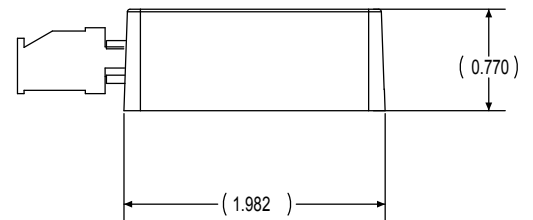
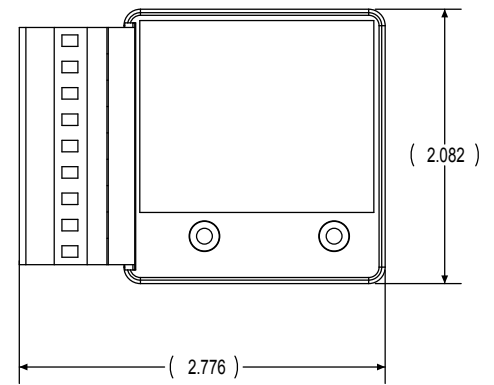
The 4-20mA module serves two very important functions. Its primary purpose is to convert the communications signals from the microprocessor's 5-volt levels into 4-20mA output, and it electrically isolates the 4-20mA circuit from the high voltages present in SymCom's Model 777-AccuPower.

The signals from the microprocessor of the 4-20mA module go through resistors to provide current limiting before connecting to the 9-pin external connector. Therefore, the 9-pin D-Sub connector on the SymCom unit provides un-isolated CMOS signals and is NOT RS232 or TTL compatible.

Specifications

Output Characteristics	
Current	4-20mA
General Characteristics	
Operating Temperature Ambient Operating	-20° to 50°C (-4° to 122°F)
Terminal (depluggable terminal block) Torque	4in.-lbs. (max.)
Wire AWG	12-20 AWG
Class of Protection	IP20
Relative Humidity	10-95%, non-condensing per IEC 68-2-3
Standards Passed	
Electrostatic Discharge (ESD)	IEC 61000-4-2, Level 3, 6kV contact, 8kV air
Radio Frequency Immunity, Radiated	150 MHz, 10V/m
Fast Transient Burst	IEC 61000-4-4, Level 3, 4kV input power
Hi-Potential Test	Meets UL508 (2 x rated V + 1000V for 1 minute)
Surge	
Input Power	IEC 61000-4-5, Level 1
Inputs/Data Lines	IEC 61000-4-5, Level 2
Safety Marks	
UL	UL508 (#E68520)
CE	IEC 60947
Enclosure	Polycarbonate
Dimensions	2.08"H x 2.776"W x 0.77"D
Weight	1.6 oz.
Mounting Method	#8 screws; mount to side of 777-AccuPower unit

Enclosure Dimensions



How to order:

Part Number: COM 4-20

Auxiliary Products:
777-AccuPower



(605) 348.5580 / (800) 843.8848 / Fax (605) 348.5685
customerservice@symcom.com / technicalsupport@symcom.com

Rev. 0510